

SPECIFICATION

Product : White Side-View SMD LED (0.6t)

Part No. : IWS-V3806-PW-K1

Date : 2011. 11. 09 Ver. 0.1

Proposed By	Checked By	Checked By	Checked By	Approval
결재완료				

Comment



ITSWELL Co., Ltd
58B-4L, 626-3 Gojan-dong, Namdong-gu, Incheon 405-817 KOREA
TEL:+82-32-813-1801, FAX:+82+32-816-1900
URL: <http://www.itswell.com>

Side View SMD LED

IWS-V3806-PW-K1



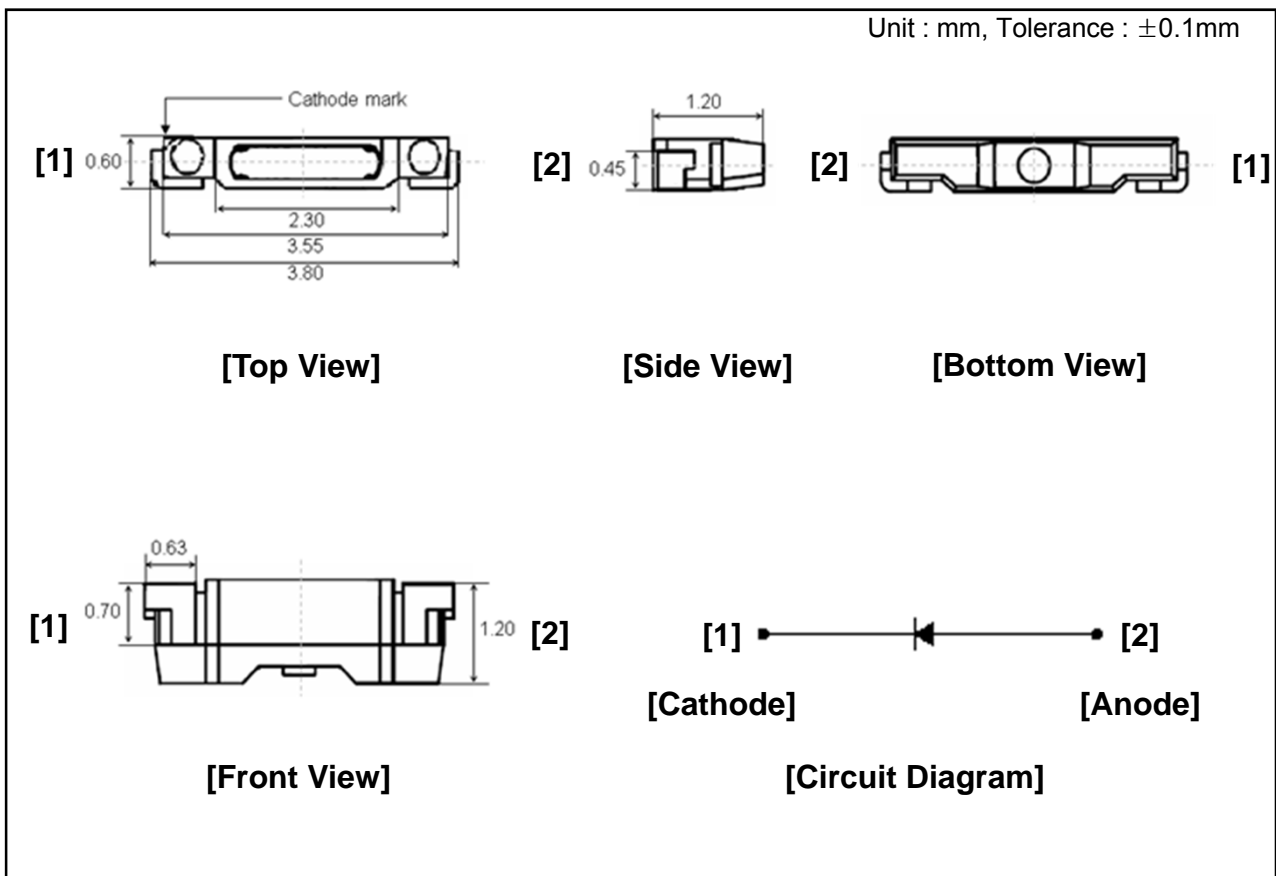
1. Features

- 1 Chip High-Luminosity SMD LED
- 3.8 x 1.2 x 0.6 mm (L x W x H), 2-Pin, Small Size Surface Mount Type
- Wide Viewing Angle
- Long Operating Life

2. Applications

- Telecommunication : Indicator and backlighting in telephone
- Flat backlighting for LCD, switch and symbol
- General Use

3. Outline Drawing and Dimension



Note

1. All dimensions are in millimeters
2. All dimensions without tolerances are for reference only

4. Absolute Maximum Ratings($T_a = 25\text{ }^\circ\text{C}$)

Parameter	Symbol	Value	Unit
Power Dissipation	P_d	102	mW
Continuous Forward Current	I_F	30	mA
Peak Forward Current ^{*1}	I_{FP}	100	mA
Operating Temperature	T_{opr}	-40 ~ 100	$^\circ\text{C}$
Storage Temperature	T_{stg}	-40 ~ 100	$^\circ\text{C}$
Soldering Temperature	T_{sol}	260 (5sec)	$^\circ\text{C}$

*1 Duty ratio = 1/10, Pulse width = 0.1ms

5. Electro-optical Characteristics($T_a = 25\text{ }^\circ\text{C}$)

Parameter	Symbol	Conditions	Min.	Typ.	Max.	Unit.
Forward Voltage	V_F	$I_F = 20\text{ mA}$	2.8	-	3.4	V
Reverse Voltage	V_R	$I_R = 5\text{ mA}$	0.7	0.8	1.5	V
Luminous Intensity ^{*2}	I_v	$I_F = 20\text{ mA}$	1,600	-	2,400	mcd
Color Coordinates ^{*3}	CIE x CIE y	$I_F = 20\text{ mA}$	Refer to Color Coordinates Rank			
Viewing Angle ^{*4}	$2\theta_{1/2}$	$I_F = 20\text{ mA}$	-	120	-	$^\circ$

*2 Luminous Intensity is tested by a tester calibrated by CAS 140B(CIE LED_B) and has an accuracy of 10%

*3 Color Coordinates has an accuracy of ± 0.01 .

*4 Viewing Angle is the angle until 50% of brightness measured from the front part of LED.

5.1 Luminous Intensity Rank

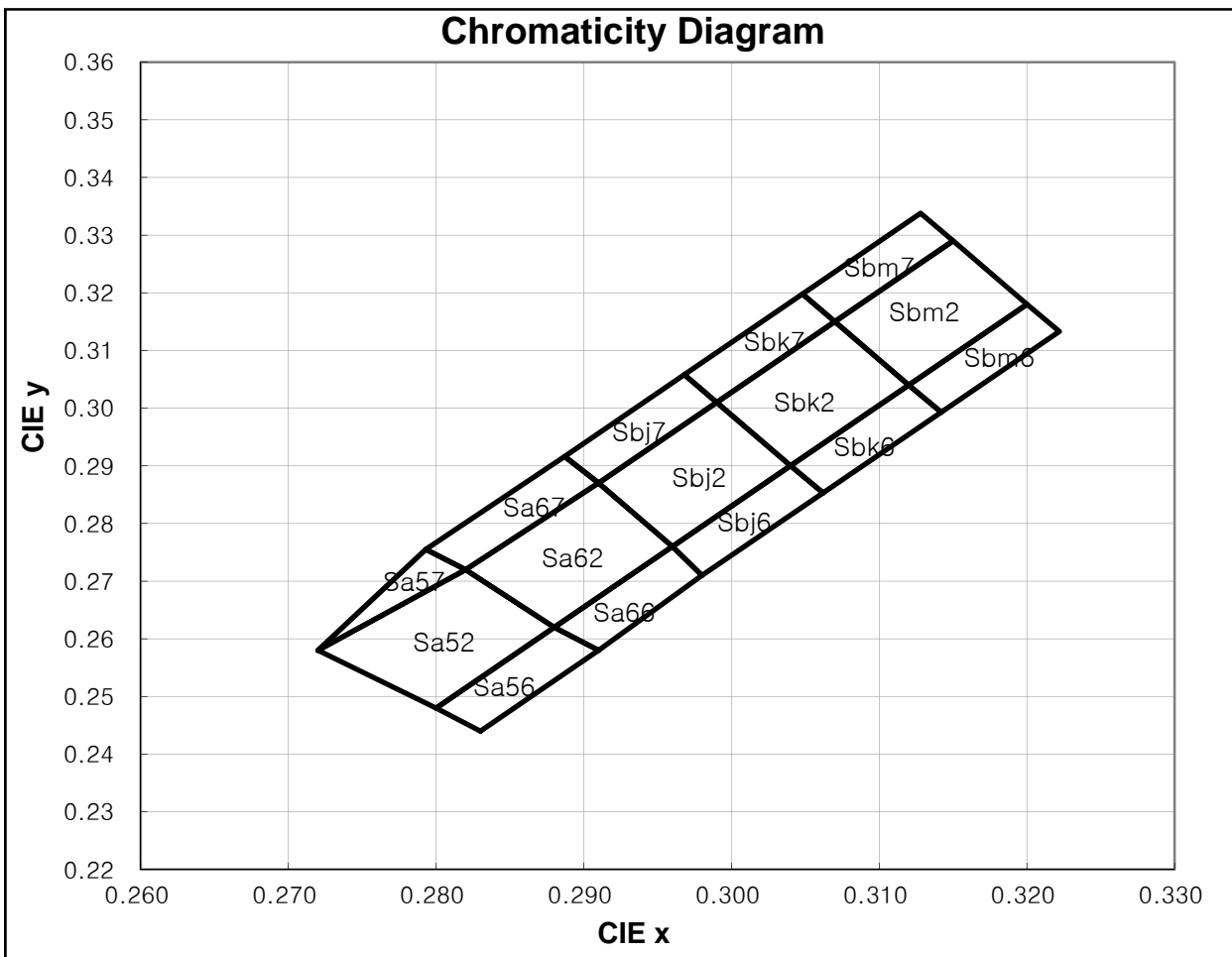
Rank	Luminous Intensity (mcd)
M1	1600 ~ 1800
M2	1800 ~ 2000
N1	2000 ~ 2200
N2	2200 ~ 2400

5.2 Forward Voltage Rank

Rank	Forward Voltage (V)
0	2.8 ~ 2.9
1	2.9 ~ 3.0
2	3.0 ~ 3.1
3	3.1 ~ 3.2
4	3.2 ~ 3.3
5	3.3 ~ 3.4

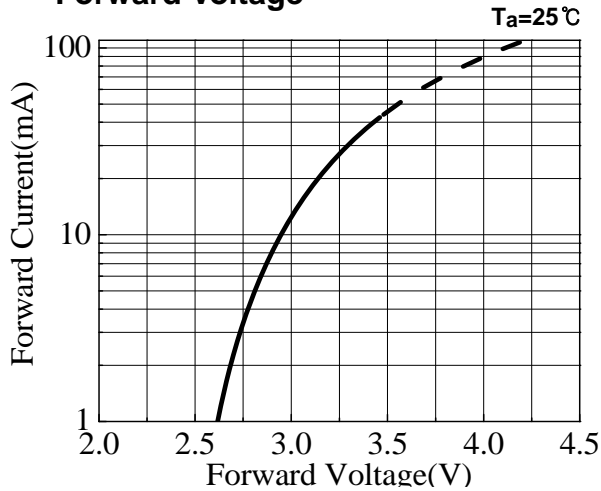
5.3 Color Coordinates Rank ($I_F = 20 \text{ mA}$, $T_a = 25 \text{ }^\circ\text{C}$)

Sa52		Sa62		Sbj2		Sbk2		Sbm2	
x	y	x	y	x	y	x	y	x	y
0.2800	0.2480	0.2880	0.2620	0.2960	0.2760	0.3040	0.2900	0.3120	0.3040
0.2720	0.2580	0.2820	0.2720	0.2910	0.2870	0.2990	0.3010	0.3070	0.3150
0.2820	0.2720	0.2910	0.2870	0.2990	0.3010	0.3070	0.3150	0.3150	0.3290
0.2880	0.2620	0.2960	0.2760	0.3040	0.2900	0.3120	0.3040	0.3200	0.3180
Sa56		Sa66		Sbj6		Sbk6		Sbm6	
x	y	x	y	x	y	x	y	x	y
0.2830	0.2440	0.2910	0.2580	0.2980	0.2710	0.3062	0.2853	0.3142	0.2993
0.2800	0.2480	0.2880	0.2620	0.2960	0.2760	0.3040	0.2900	0.3120	0.3040
0.2880	0.2620	0.2960	0.2760	0.3040	0.2900	0.3120	0.3040	0.3200	0.3180
0.2910	0.2580	0.2980	0.2710	0.3062	0.2853	0.3142	0.2993	0.3222	0.3133
Sa57		Sa67		Sbj7		Sbk7		Sbm7	
x	y	x	y	x	y	x	y	x	y
0.2720	0.2580	0.2820	0.2720	0.2910	0.2870	0.2990	0.3010	0.3070	0.3150
0.2793	0.2755	0.2793	0.2755	0.2887	0.2916	0.2968	0.3058	0.3048	0.3198
0.2820	0.2720	0.2887	0.2916	0.2968	0.3058	0.3048	0.3198	0.3128	0.3338
0.2720	0.2580	0.2910	0.2870	0.2990	0.3010	0.3070	0.3150	0.3150	0.3290

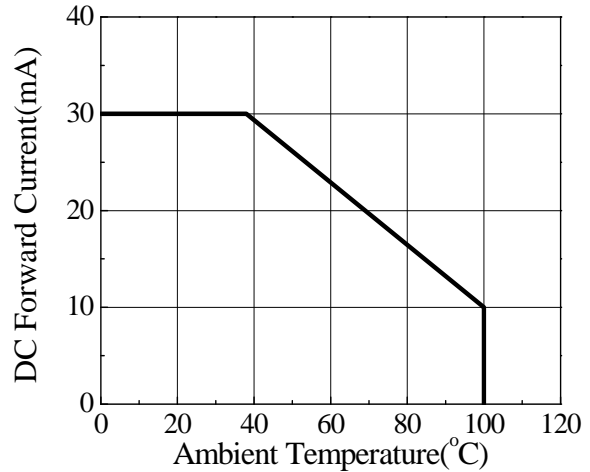


6. Typical Characteristics Curves

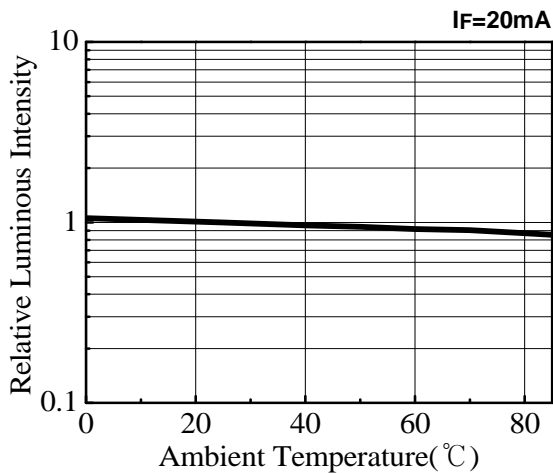
Forward Current vs. Forward Voltage



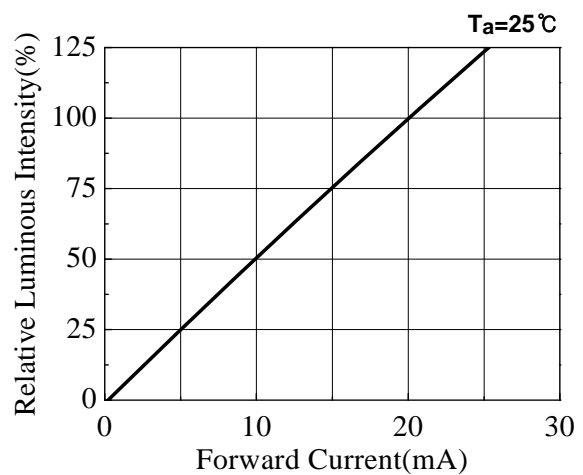
Forward Current vs. Ambient Temperature



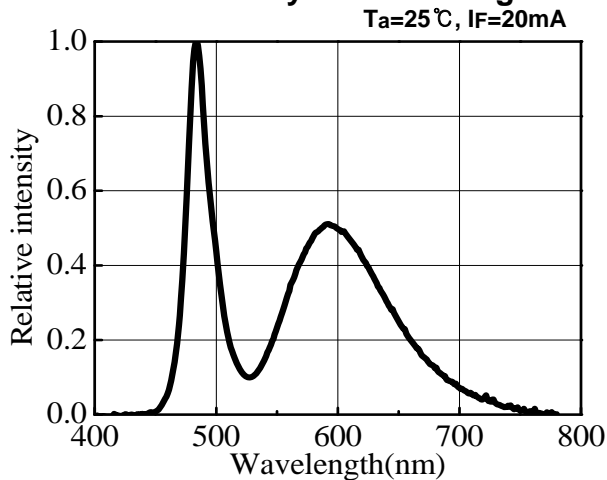
Relative Luminous Intensity vs. Ambient Temperature



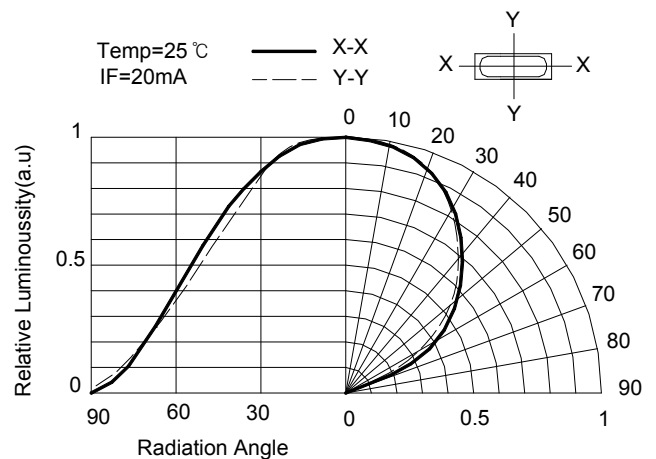
Relative Luminous Intensity vs. Forward Current



Relative Intensity vs. Wavelength



Radiation Diagram

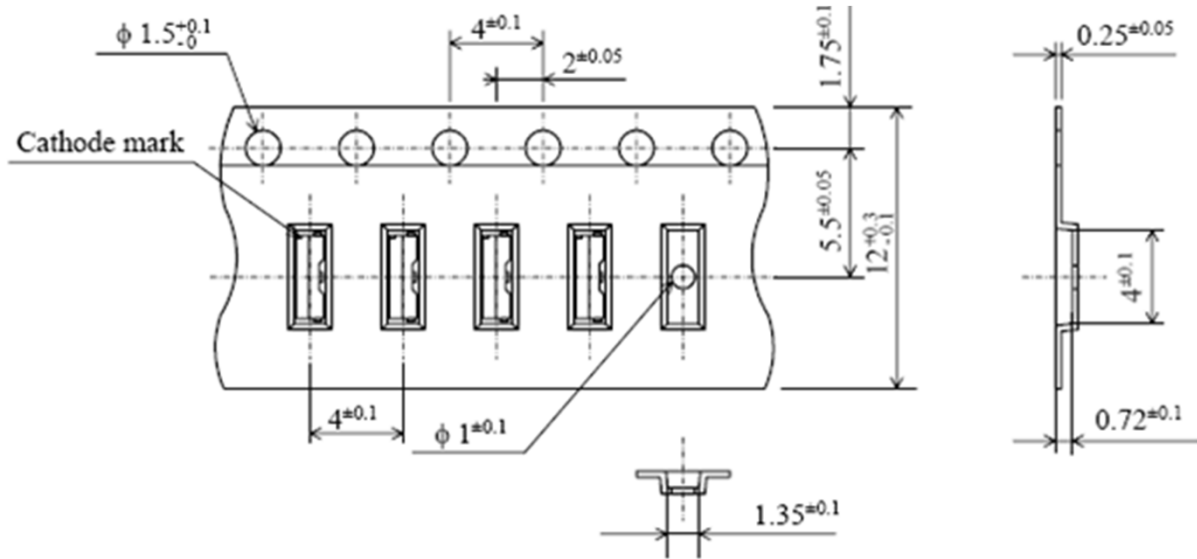


Side View SMD LED IWS-V3806-PW-K1

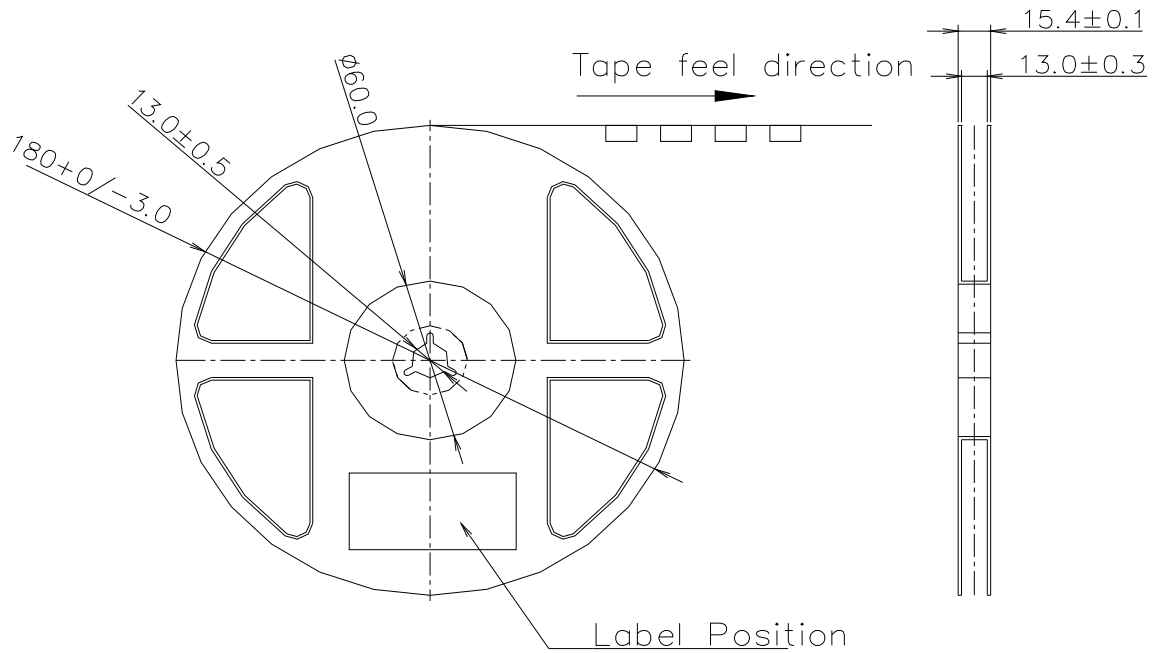


7. Dimension of Tape / Reel

7.1 Tape Dimension



7.2 Reel Dimension



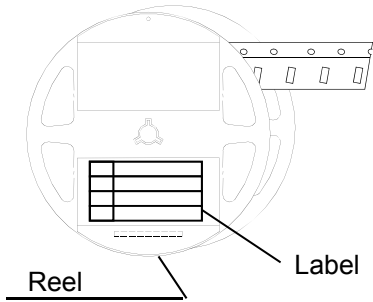
Side View SMD LED IWS-V3806-PW-K1



8. Packing Dimension

Unit :mm

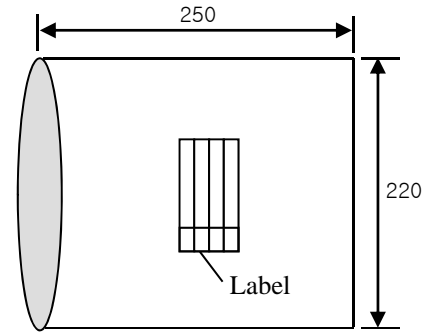
Reel



Bake: 60°C, 48hrs



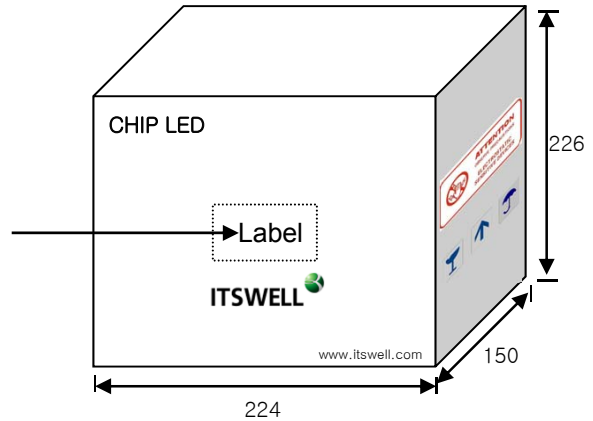
Aluminum Shield Bag



Including Silica gel in a bag



Card board Box



Al Pack Label, Reel Label

(70 × 37)

ITSWELL				
Lot :	IWS-V3806-PW-K1			
	MIN	AVG	MAX	STD
V _F [volt]				
I _v [mcd]				
CIE[x,y]				
Q'ty :	yyyy/mm/dd			

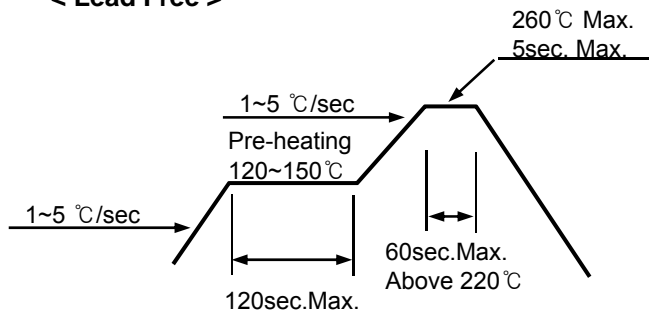
	Dimensions (mm)	Reel / Box	Q'ty / Box(pcs)
Reel	Φ180mm, 15mm Width	-	3,500 Max
Al Shield Bag	250x220	-	3,500 Max
Card board Box	224x150x226	9 Max	31,500 Max

9. Precaution in use

9.1 Soldering Conditions

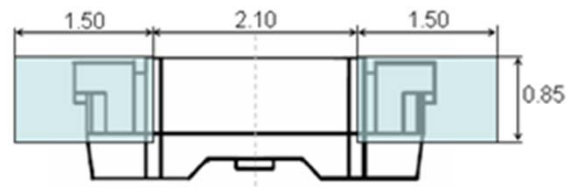
- When soldering Power SMD, Heat may affect the electrical and optical characteristics of the LEDs.
- In soldering, do not stress the lead frame and the resin part under the high temperature.
- The silicone part should be protected from mechanical stress or vibration until the Power SMD return to room temperature after soldering.
- Preliminary heating to be at 120~150 °C max. for 120 Seconds max.
- Soldering heat to be at 260 °C max. for 5 sec. Max.
- For manual Soldering is Not more than 3 sec @MAX 350 °C, under soldering iron

< Lead Free >



<Recommendable soldering pattern>

<Unit: mm>



9.2 Storage

- Before opening the package, the LEDs should be kept at 30 °C or less and 70%RH or less.
- After opening the package, the LEDs should be kept at 30 °C or less and 30%RH or less.
- If the moisture absorbent material (silicagel) has faded away or the LED have exceeded the storage time, baking treatment should be performed using the following conditions.
Baking treatment: 60 °C ±5 for 48 hours.

9.3 Static Electricity

- Static electricity or surge voltage damages the Power SMD . It is recommended that a wrist band or an anti-electrostatic glove be used when handling the LEDs.
- A tip soldering iron is requested to be grounded. An ionizer should also be installed where risk of static.
- All devices, equipment and machinery must be properly grounded (via 1MΩ). It is recommended that measures be taken against surge voltage to the equipment that mounts the Power SMD.

9.4 Cleaning

- Isopropyl Alcohol or Ethylene Alcohol is recommended in 5 minutes at room temperature.
Don't use unspecified chemical may cause crack or haze on the surface of the epoxy resin.
- Before cleaning, a pre-test should be done to confirm whether any damage to the LED will occur.
- Freon solvents should not be used to clean the LEDs because of worldwide regulations.

9.5 Heat Generation

- When the LEDs are illuminating, operating current should be decided after being considering the ambient maximum temperature.
- Please consider the heat generation of the LED when it is designed the PCB.

10. Reliability

10.1 Reliability Test Item

Test Items	Test Conditions	Notes
High Temperature Storage	100℃, 1,000hr.	0/25
Low Temperature Storage	-40℃, 1,000hr.	0/25
Temp. Humidity Storage	60℃, 90% RH, 1,000hr.	0/25
Steady State Operating life	25℃, 30mA, 1,000hr.	0/25
High Temperature Operating Life	100℃, 10mA, 1,000hr	0/25
Low Temperature Operating Life	-40℃, 20mA, 1,000hr.	0/25
Steady State Operating life Of High Humidity Heat	60℃, 90% RH, 15mA, 1,000hr.	0/25
Thermal Shock	-40℃(30min)↔100℃(30min.), 100 cycle	0/20
ESD	HBM, 100 pF, 1.5 kohm, 3 times	0/20

10.2 Criteria for Judging the Damage

Parameters	Test Conditions	Criteria for judgment
Forward Voltage (V_F)	$I_F = 20 \text{ mA}$	Less than 110% of U
Luminous Intensity (I_v)	$I_F = 20 \text{ mA}$	> 70% of S

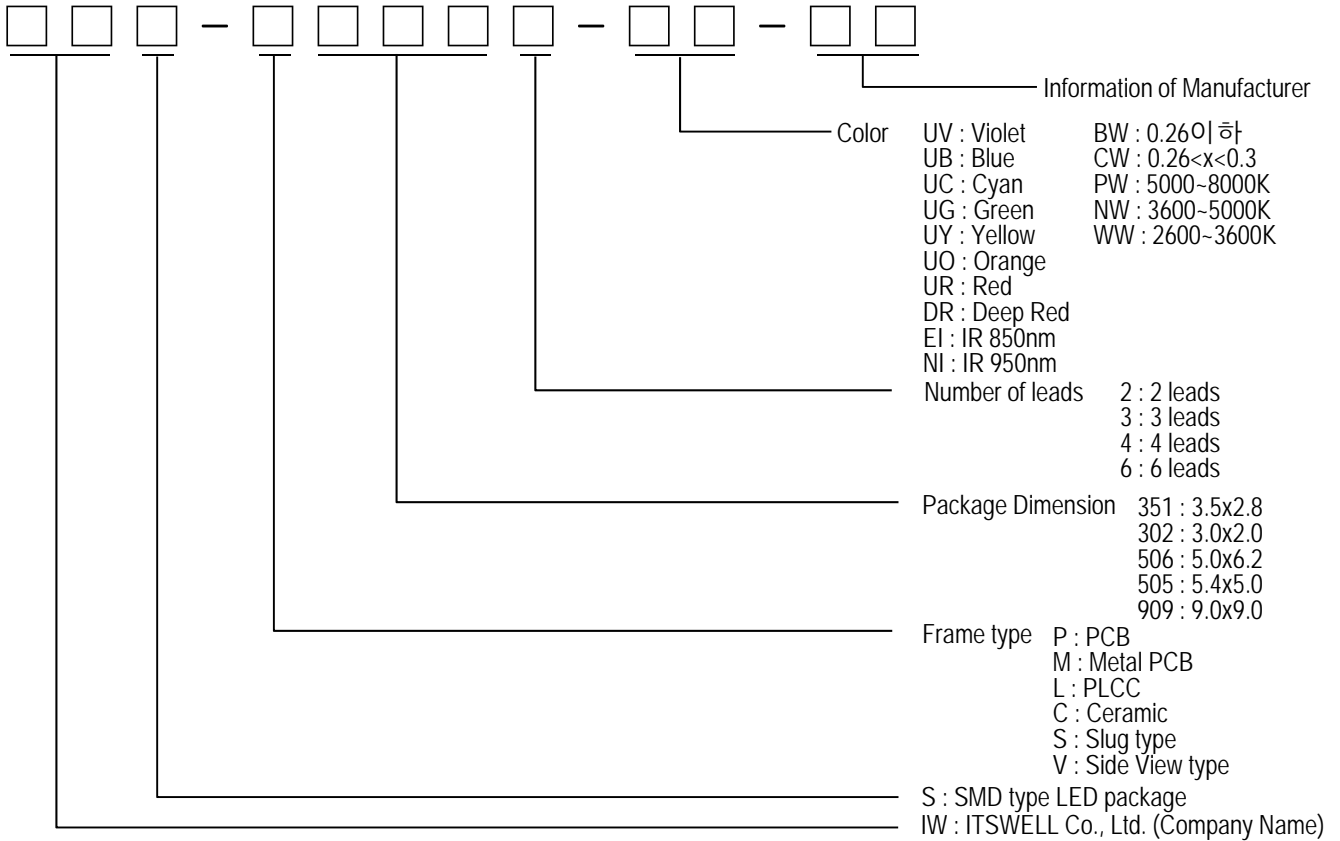
* U means the upper limit of specified characteristics, S means initial value.

Side View SMD LED

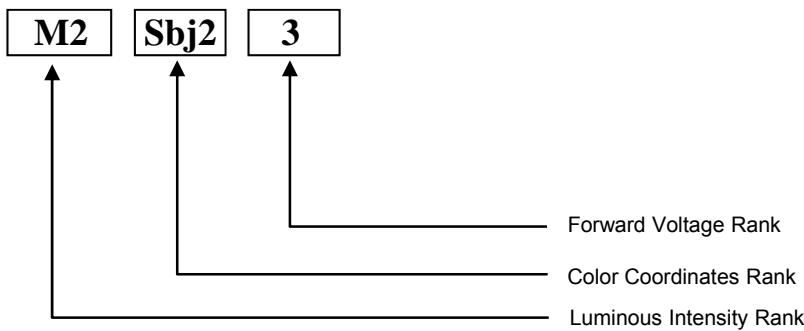
IWS-V3806-PW-K1



11. Part Name Description



12. Rank Description



13. Attention : Electric Static Discharge (ESD) Protection



The symbol shown on the page herein to introduce 'Electro-Optical Characteristics'. ESD protection for GaP and AlGaAs based chips is still Necessary even though they are safe in low static-electric discharge. Material in AlInGaP, GaP, or/and InGaN based chips are STATIC SENSITIVE devices. ESD protection has to considered and taken in the initial design stage. If manual work/process is needed, please ensure the device is well protective From ESD during all the process.

